



ADJ VIZI BEAM 12RX

User Manual

©2022 ADJ Products, LLC all rights reserved. Information, specifications, diagrams, images, and instructions herein are subject to change without notice. ADJ Products, LLC logo and identifying product names and numbers herein are trademarks of ADJ Products, LLC. Copyright protection claimed includes all forms and matters of copyrightable materials and information now allowed by statutory or judicial law or hereinafter granted. Product names used in this document may be trademarks or registered trademarks of their respective companies and are hereby acknowledged. All non-ADJ Products, LLC brands and product names are trademarks or registered trademarks of their respective companies.

ADJ Products, LLC and all affiliated companies hereby disclaim any and all liabilities for property, equipment, building, and electrical damages, injuries to any persons, and direct or indirect economic loss associated with the use or reliance of any information contained within this document, and/or as a result of the improper, unsafe, insufficient and negligent assembly, installation, rigging, and operation of this product.

ADJ PRODUCTS LLC World Headquarters

6122 S. Eastern Ave. | Los Angeles, CA 90040 USA

Tel: 800-322-6337 | Fax: 323-582-2941 | www.adj.com | lsupport@adj.com

ADJ Supply Europe B.V.

Junostraat 2 | 6468 EW Kerkrade | Netherlands

Tel: +31 45 546 85 00 | Fax: +31 45 546 85 99 | www.americandj.eu | service@americandj.eu

Europe Energy Saving Notice

Energy Saving Matters (EuP 2009/125/EC)

Saving electric energy is a key to help protecting the environment. Please turn off all electrical products when they are not in use. To avoid power consumption in idle mode, disconnect all electrical equipment from power when not in use. Thank you!

DOCUMENT VERSION

Due to additional product features and/or enhancements, an updated version of this



document may be available online.

Please check www.adj.com for the latest revision/update of this manual before beginning installation and/or programming.

Date	Document Version	Software Version	DMX Channels	Notes
06/26/2020	1.0	1.2	13/17	Initial Release
05/10/2021	1.5	1.5	N/C	Update DMX Traits
08/11/2021	2.0	1.5	N/C	Update Format
02/21/2022	2.5	2.2	N/C	Update System Menu
05/11/2022	3.0	N/C	N/C	Added Remote Device Management (RDM) and Software Update section

CONTENTS

General Information	4
Limited Warranty (USA Only)	5
Safety Guidelines	6
Discharge Lamp Warning	8
Maintenance Guidelines	9
Fixture Overview	10
Color Wheel	11
Gobo Wheel	12
Lamp Replacement	13
Installation Guidelines	14
Remove Device Management (RDM)	18
System Menu	19
DMX Traits: Channel Functions & Values	25
Software Updated	28
Error Codes	29
Specifications	30
Dimensional Drawings	31
FCC Statement	32

GENERAL INFORMATION

INTRODUCTION

Please read and understand the instructions in this manual carefully and thoroughly before attempting to operate this device. These instructions contain important safety and use information.

This product is intended for use by professionally trained personnel only, and is not suitable for private use.

Unpacking

Every device has been thoroughly tested and has been shipped in perfect operating condition. Carefully check the shipping carton for damage that may have occurred during shipping. If the carton is damaged, carefully inspect the device for damage, and be sure all accessories necessary to install and operate the device have arrived intact. In the event damage has been found or parts are missing, please contact our customer support team for further instructions. Please do not return this device to your dealer without first contacting customer support. Please do not discard the shipping carton in the trash. Please recycle whenever possible.

BOX CONTENTS

Omega Brackets
1.83M locking power cable

CUSTOMER SUPPORT

Contact ADJ Service for any product related service and support needs. Also visit forums.adj.com with questions, comments or suggestions.

ADJ SERVICE USA - Monday - Friday 8:00am to 4:30pm PST
323-582-2650 | Fax: 323-832-2941 | support@adj.com

ADJ SERVICE EUROPE - Monday - Friday 08:30 to 17:00 CET
+31 45 546 85 60 | Fax: +31 45 546 85 96 | support@adj.eu

REPLACEMENT PARTS please visit parts.adj.com



IMPORTANT NOTICE!

THERE ARE NO USER SERVICEABLE PARTS INSIDE THIS UNIT. DO NOT ATTEMPT ANY REPAIRS YOURSELF; DOING SO WILL VOID YOUR MANUFACTURER'S WARRANTY. DAMAGES RESULTING FROM MODIFICATIONS TO THIS FIXTURE AND/OR THE DISREGARD OF SAFETY INSTRUCTIONS AND GUIDELINES IN THIS MANUAL VOID THE MANUFACTURER'S WARRANTY AND ARE NOT SUBJECT TO WARRANTY CLAIMS AND/OR REPAIRS.

LIMITED WARRANTY (USA ONLY)

- A. ADJ Products, LLC hereby warrants, to the original purchaser, ADJ Products, LLC products to be free of manufacturing defects in material and workmanship for a prescribed period from the date of purchase (see specific warranty period on reverse). This warranty shall be valid only if the product is purchased within the United States of America, including possessions and territories. It is the owner's responsibility to establish the date and place of purchase by acceptable evidence, at the time service is sought.
- B. For warranty service, you must obtain a Return Authorization number (RA#) before sending back the product-please contact ADJ Products, LLC Service Department at 800-322-6337. Send the product only to the ADJ Products, LLC factory. All shipping charges must be pre-paid. If the requested repairs or service (including parts replacement) are within the terms of this warranty, ADJ Products, LLC will pay return shipping charges only to a designated point within the United States. If the entire instrument is sent, it must be shipped in its original package. No accessories should be shipped with the product. If any accessories are shipped with the product, ADJ Products, LLC shall have no liability whatsoever for loss of or damage to any such accessories, or for the safe return thereof.
- C. This warranty is void if the serial number has been altered or removed; if the product is modified in any manner which ADJ Products, LLC concludes, after inspection, affects the reliability of the product, if the product has been repaired or service by anyone other than ADJ Products, LLC factory unless prior written authorization was issued to purchaser by ADJ Products, LLC; if the product is damaged because not properly maintained as set forth in the instruction manual.
- D. This is not a service contract, and this warranty does not include maintenance, cleaning or periodic check up. During the period specified above, ADJ Products, LLC will replace defective parts at its expense with new or refurbished parts, and will absorb all expenses for warranty service and repair labor by reason of defects in material or workmanship. The sole responsibility of ADJ Products, LLC under this warranty shall be limited to the repair of the product, or replacement thereof, including parts, at the sole discretion of ADJ Products, LLC. All products covered by this warranty were manufactured after August 15, 2012, and bear identifying marks to that effect.
- E. ADJ Products, LLC reserves the right to make changes in design and/or improvements upon its products without any obligation to include these changes in any products theretofore manufactured.
- F. No warranty, whether expressed or implied, is given or made with respect to any accessory supplied with products described above. Except to the extent prohibited by applicable law, all implied warranties made by ADJ Products, LLC in connection with this product, including warranties of merchantability or fitness, are limited in duration to the warranty period set forth above. And no warranties, whether expressed or implied, including warranties of merchantability or fitness, shall apply to this product after said period has expired. The consumer's and/or Dealer's sole remedy shall be such repair or replacement as is expressly provided above; and under no circumstances shall ADJ Products, LLC be liable for any loss or damage, direct or consequential, arising out of the use of, or inability to use, this product.
- G. This warranty is the only written warranty applicable to ADJ Products, LLC Products and supersedes all prior warranties and written descriptions of warranty terms and conditions heretofore published.

LIMITED WARRANTY PERIODS

- **Non L.E.D. Lighting Products = 1-year (365 days) Limited Warranty** (Such as: Special Effect Lighting, Intelligent Lighting, UV lighting, Strobes, Fog Machines, Bubble Machines, Mirror Balls, Par Cans, Trussing, Lighting Stands etc. excluding LED and lamps)
- **Laser Products = 1 Year (365 Days) Limited Warranty** (excludes laser diodes which have 6 month limited warranty)
- **L.E.D. Products = 2-year (730 days) Limited Warranty** (excluding batteries which have a 180 day limited warranty)
Note: 2 Year Warranty only applies to purchases within the United States.
- **StarTec Series = 1 Year Limited Warranty** (excluding batteries which have a 180 day limited warranty)
- **ADJ DMX Controllers = 2 Year (730 Days) Limited Warranty**

SAFETY GUIDELINES

This device is a sophisticated piece of electronic equipment. To guarantee a smooth operation, it is important to follow all instructions and guidelines in this manual. ADJ PRODUCTS, LLC. is not responsible for injury and/or damages resulting from the misuse of this device due to the disregard of the information printed in this manual. Only the original included parts and/or accessories for this device should be used. Any modifications to the device, included and/or accessories will void the original manufacturer's warranty and increase the risk of damage and/or personal injury.



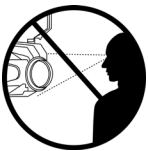
PROTECTION CLASS 1 - FIXTURE MUST BE PROPERLY GROUNDED



**THERE ARE NO USER SERVICEABLE PARTS INSIDE THIS UNIT.
DO NOT ATTEMPT ANY REPAIRS YOURSELF; DOING SO WILL VOID YOUR MANUFACTURER'S WARRANTY. DAMAGES RESULTING FROM MODIFICATIONS TO THIS FIXTURE AND/OR THE DISREGARD OF SAFETY INSTRUCTIONS AND GUIDELINES IN THIS MANUAL VOID THE MANUFACTURER'S WARRANTY AND ARE NOT SUBJECT TO ANY WARRANTY CLAIMS AND/OR REPAIRS.**



**DO NOT PLUG FIXTURE INTO A DIMMER PACK!
NEVER OPEN THIS FIXTURE WHILE IN USE!
UNPLUG POWER BEFORE SERVICING FIXTURE!
NEVER TOUCH FIXTURE DURING OPERATION, AS IT MAY BE HOT!
KEEP FLAMMABLE MATERIALS AWAY FROM FIXTURE!**



**NEVER LOOK DIRECTLY INTO THE LIGHT SOURCE!
RETINA INJURY RISK - MAY INDUCE BLINDNESS!
SENSITIVE PERSONS MAY SUFFER AN EPILEPTIC SHOCK!**



**INDOOR / DRY LOCATIONS USE ONLY!
DO NOT EXPOSE FIXTURE TO RAIN AND MOISTURE!**



**MINIMUM DISTANCE TO OBJECTS/SURFACES
MUST BE 39.4 FEET (12 METERS)
MAXIMUM TEMP OF EXTERNAL SURFACE 194°F (90°C)
MINIMUM DISTANCE OF INFLAMMABLE MATERIALS
FROM THE SURFACE 0.7 FEET (0.2 METER)**

WARNING



Minimum distance to lighted objects 12.0 meters.

Maximum temperature of the external surface is 90°C

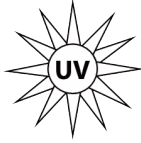
Minimum distance of inflammable materials from the surface 0.2m.



SAFETY GUIDELINES

! CAUTION

HIGH INTENSITY ULTRAVIOLET LIGHT



AVOID DIRECT EYE & SKIN EXPOSURE.
WEAR PROPER EYE & SKIN PROTECTION.
SEE MANUAL FOR SAFETY INSTRUCTIONS.

RISK GROUP 3 - RISK OF EXPOSURE TO ULTRAVIOLET UV RADIATION! FIXTURE EMITS HIGH INTENSITY WAVELENGTH OF ULTRAVIOLET UV LIGHT FROM THE UV COLOR FILTER. WEAR PROPER EYE AND SKIN PROTECTION. AVOID PROLONGED PERIODS OF EXPOSURE TO UV COLOR FILTER. AVOID WEARING WHITE COLOR CLOTHING AND/OR USING UV PAINTS ON SKIN. AVOID DIRECT EYE AND/OR SKIN EXPOSURE AT DISTANCES LESS THAN 11 feet (3.3m). DO NOT OPERATE FIXTURE WITH DAMAGED/MISSING EXTERNAL COVERS. DO NOT LOOK DIRECTLY INTO THE UV LIGHT AND/OR VIEW UV LIGHT DIRECTLY WITH OPTICAL INSTRUMENTS THAT MAY CONCENTRATE THE LIGHT/RADIATION OUTPUT. INDIVIDUALS SUFFERING FROM A RANGE OF EYE CONDITIONS, SUNLIGHT EXPOSURE DIS-ORDERS, OR INDIVIDUALS USING PHOTSENSITIVE MEDICATION, MAY RECEIVE DISCOMFORT IF EXPOSED TO THE ULTRAVIOLET UV LIGHT EMITTED FROM THE UV LED.

DO NOT TOUCH the fixture housing during operation. Turn OFF the power and allow approximately 60 minutes for the fixture to cool down before serving.

DO NOT shake fixture, avoid brute force when installing and/or operating fixture.

DO NOT operate fixture if the power cord is frayed, crimped, damaged and/or if any of the power cord connectors are damaged and do not insert into the fixture securely with ease. NEVER force a power cord connector into the fixture. If the power cord or any of its connectors are damaged, replace it immediately with a new one of similar power rating.

DO NOT block any air ventilation slots.

All fan and air inlets must remain clean and never blocked.

Allow approx. 7.9" (20cm) between fixture and other devices or a wall for proper cooling.

When installing fixture in a suspended environment, always use mounting hardware that is no less than M10 x 25 mm, and always install fixture with an appropriately rated safety cable.

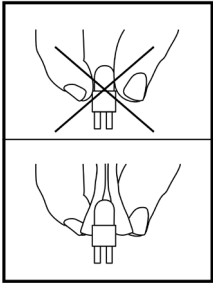
Always disconnect fixture from main power source before performing any type of service and/or cleaning procedure. Only handle the power cord by the plug end, never pull out the plug by tugging the wire portion of the cord.

During the initial operation of this fixture, a light smoke or smell may emit from the interior of the fixture. This is a normal process and is caused by excess paint in the interior of the casing burning off from the heat associated with the lamp and will decrease gradually over time.

Consistent operational breaks will ensure fixture will function properly for many years.

ONLY Use original packaging and materials to transport the fixture in for service.

DISCHARGE LAMP WARNING



This fixture is fitted with a DISCHARGE LAMP, which is highly susceptible to damage if improperly handled. NEVER touch the lamp with your bare hands, as the oil from your hands will shorten the life of the lamp. NEVER move the fixture until the lamp has had ample time to cool. DISCHARGE LAMPS are NOT covered under warranty conditions. Avoid switching the fixture ON and OFF repeatedly in short intervals, as this will reduce lamp life and intensity. To achieve the intensity associated with discharge lamps, these lamps use gas sealed in a high-pressure environment to emit a brilliant output.

Due to the high pressure involved with the construction of the lamp, it **MAY EXPLODE DURING PROLONGED EXTENSIVE USE**. This risk is increased with age; added care is encouraged when dealing with older lamps. Thus, the lamp must always be replaced at the end of their recommended duty cycle. Extreme caution should be used when operating this or any fixture fitted with a gas discharge lamp.

UV RADIATION NOTICE



THIS FIXTURE EMITS INTENSE UV RADIATION, WHICH IS HARMFUL TO THE EYES AND SKIN. THE INTENSE LUMINESCENCE OF THE LAMP CAN CAUSE SEVERE DAMAGE TO THE RETINA. NEVER OPERATE THIS FIXTURE WITH ANY OF THE PROTECTIVE COVERS REMOVED. THESE COVERS HAVE BEEN SPECIALLY DESIGNED TO SHIELD AGAINST UV RADIATION.

LAMP REPLACEMENT



USE ONLY GENUINE ORIGINAL PHILIPS™ LAMPS. OTHER BRAND LAMPS WILL CAUSE DAMAGE AND WILL VOID FIXTURE WARRANTY!



**DISCONNECT THE MAIN POWER SUPPLY BEFORE REPLACING LAMP!
FIXTURE MUST COOL FOR 15 minutes BEFORE REPLACING LAMP!
NEVER TOUCH LAMP WITH BARE HANDS, ALWAYS WEAR GLOVES!
OIL FROM HANDS WILL SHORTEN LIFE OF LAMP!**



MAKE SURE ALL COVERS/FIXTURES ARE REPLACED/SECURED BEFORE OPERATING FIXTURE TO PREVENT ANY RISK AND/OR DAMAGE TO EYE RETINA FROM UV RADIATION EXPOSURE!

MAINTENANCE GUIDELINES

DISCONNECT POWER BEFORE PERFORMING ANY MAINTENANCE!

CLEANING

Frequent cleaning is recommended to ensure proper function, optimized light output, and an extended life. The frequency of cleaning depends on the environment in which the fixture operates: damp, smoky, or particularly dirty environments can cause greater accumulation of dirt on the fixture's optics. Clean the external lens surface periodically with a soft cloth to avoid dirt/debris accumulation. **NEVER** use alcohol, solvents, or ammonia-based cleaners.

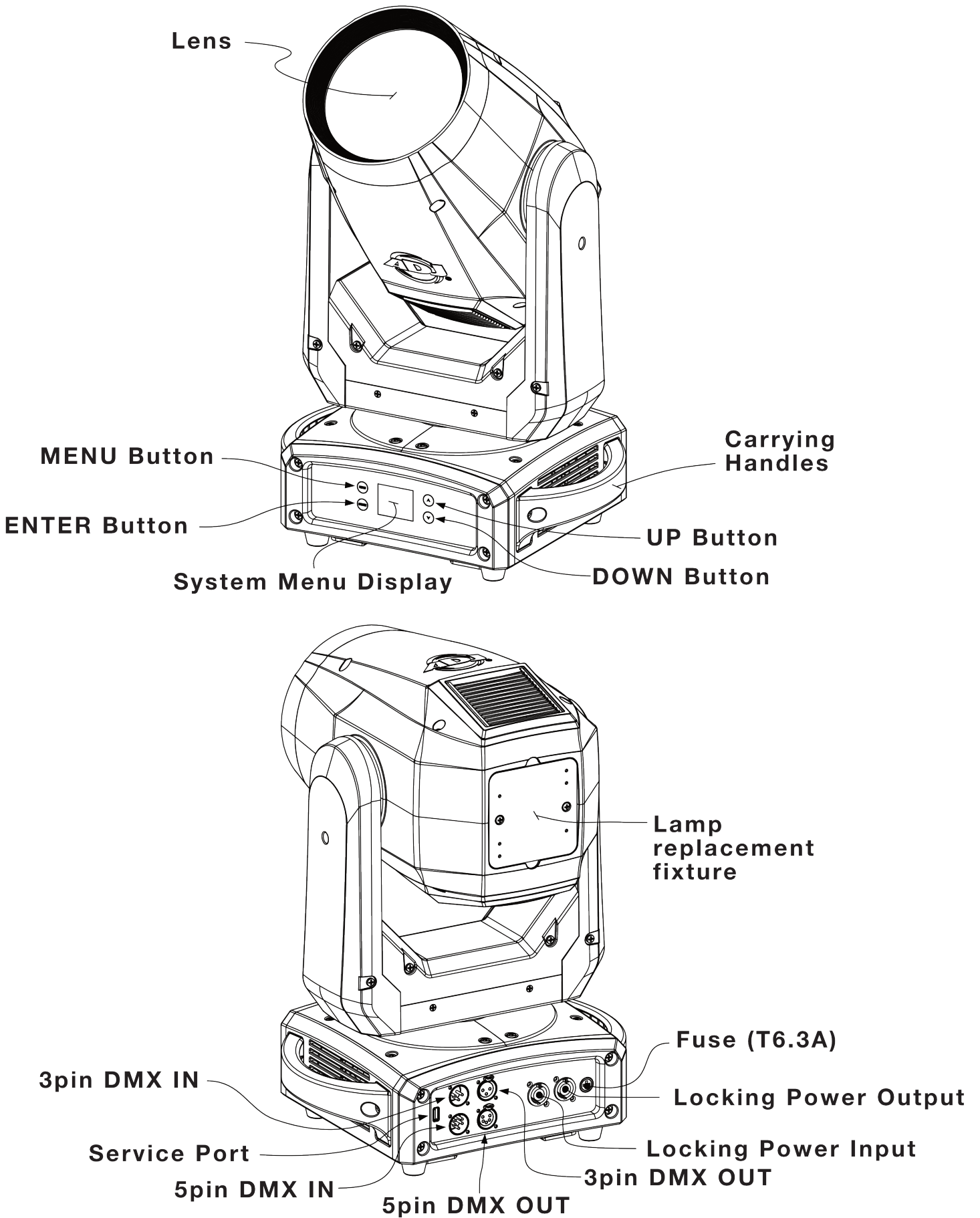
MAINTENANCE

Regular inspections are recommended to ensure proper function and extended life. There are no user serviceable parts inside this fixture, please refer all other service issues to an authorized ADJ service technician. Should you need any spare parts, please order genuine parts from your local ADJ dealer.

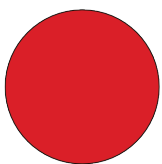
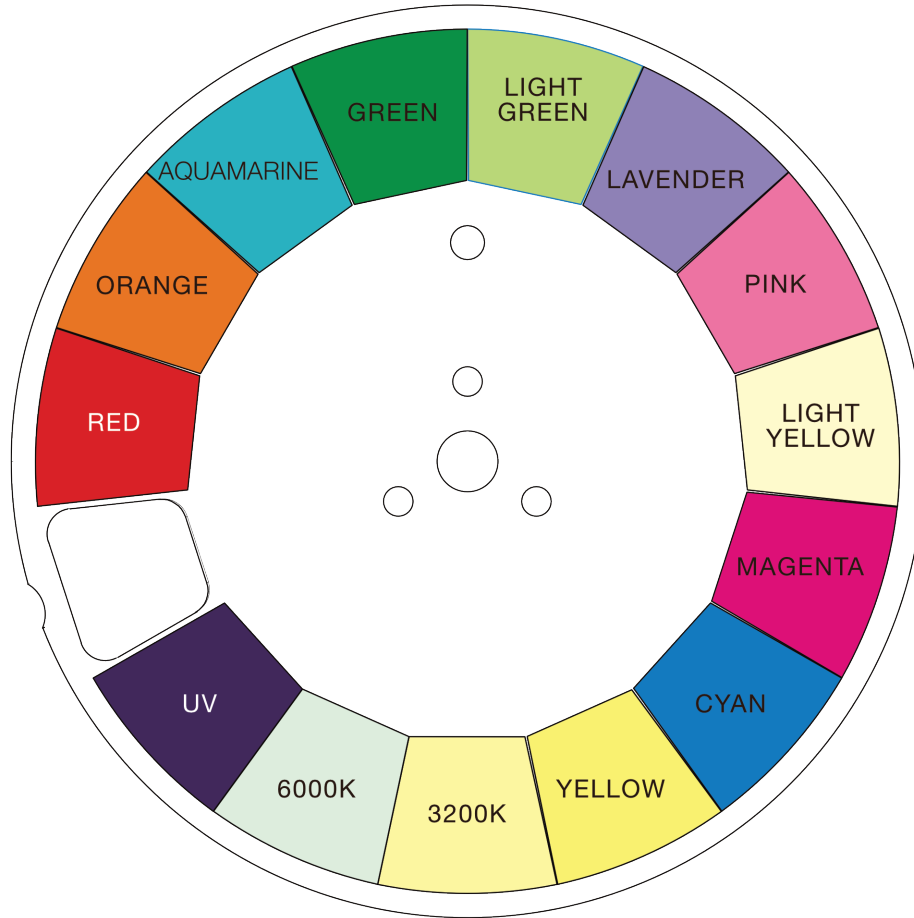
Please refer to the following points during routine inspections:

- A detailed electrical check by an approved electrical engineer every three months, to make sure the circuit contacts are in good condition in order to prevent overheating.
- Be sure all screws and fasteners are securely tightened at all times. Loose screws may fall out during normal operation, resulting in damage or injury as larger parts could fall.
- Check for any deformations on the housing, color lenses, rigging hardware, and rigging points (ceiling, suspension, trussing). Deformations in the housing could allow for dust or liquids to enter into the fixture. Damaged rigging points or unsecured rigging could cause fixture to fall and seriously injure a person(s).
- Electric power supply cables must not show any damage, material fatigue, or sediments.
- **NEVER** remove the ground prong from the power cable.

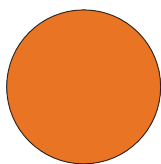
FIXTURE OVERVIEW



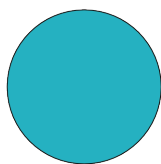
COLOR WHEEL



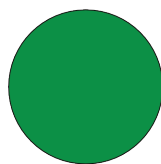
RED



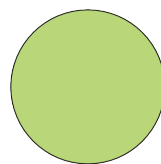
ORANGE



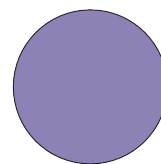
AQUAMARINE



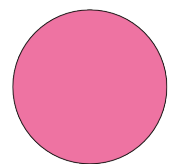
GREEN



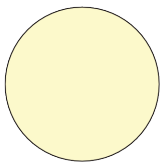
LIGHT GREEN



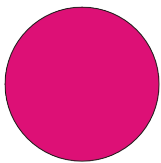
LAVENDER



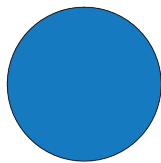
PINK



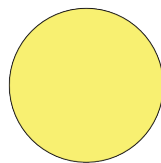
LIGHT YELLOW



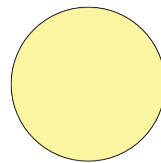
MAGENTA



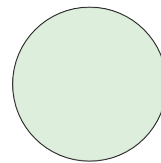
CYAN



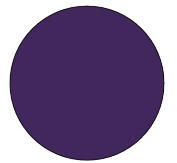
YELLOW



3200k

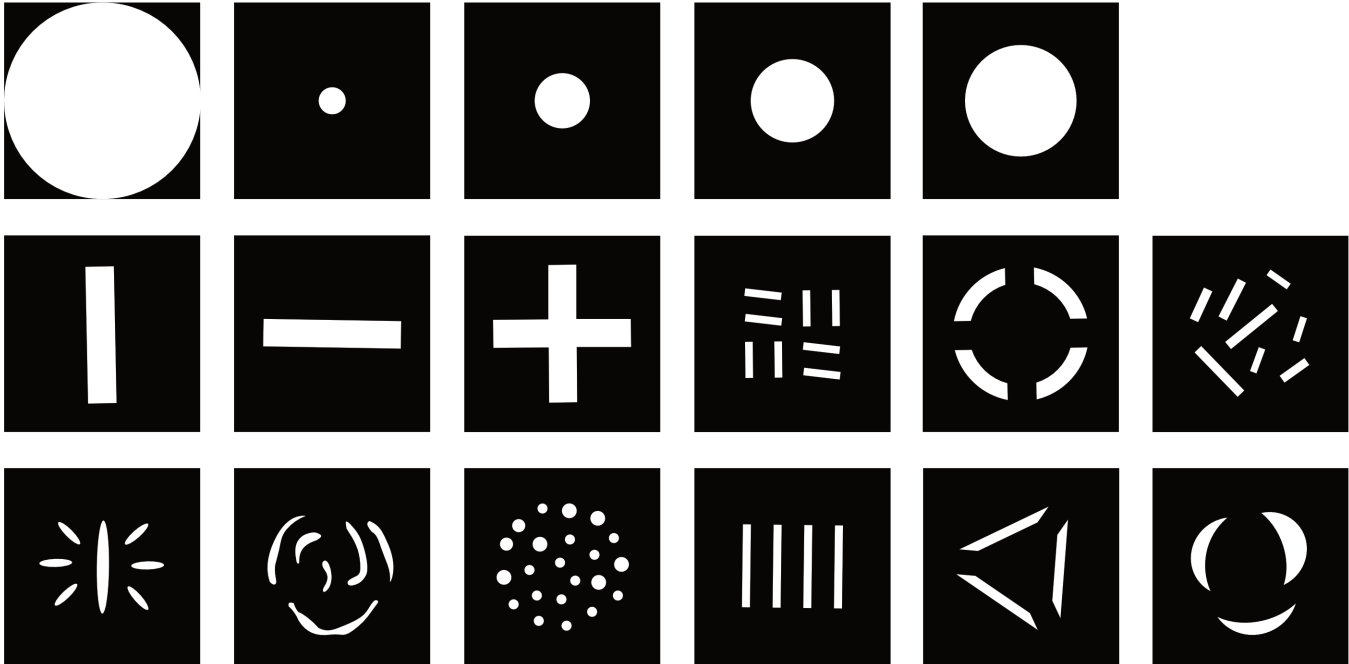
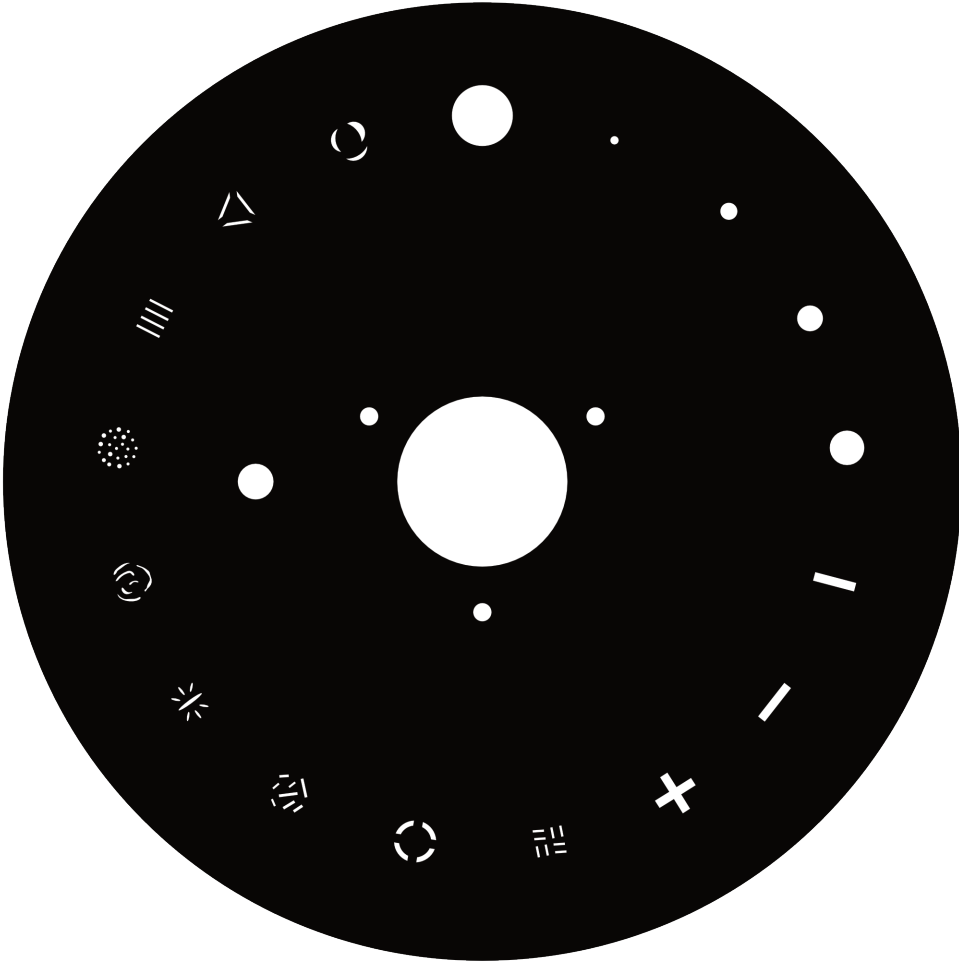


6000k



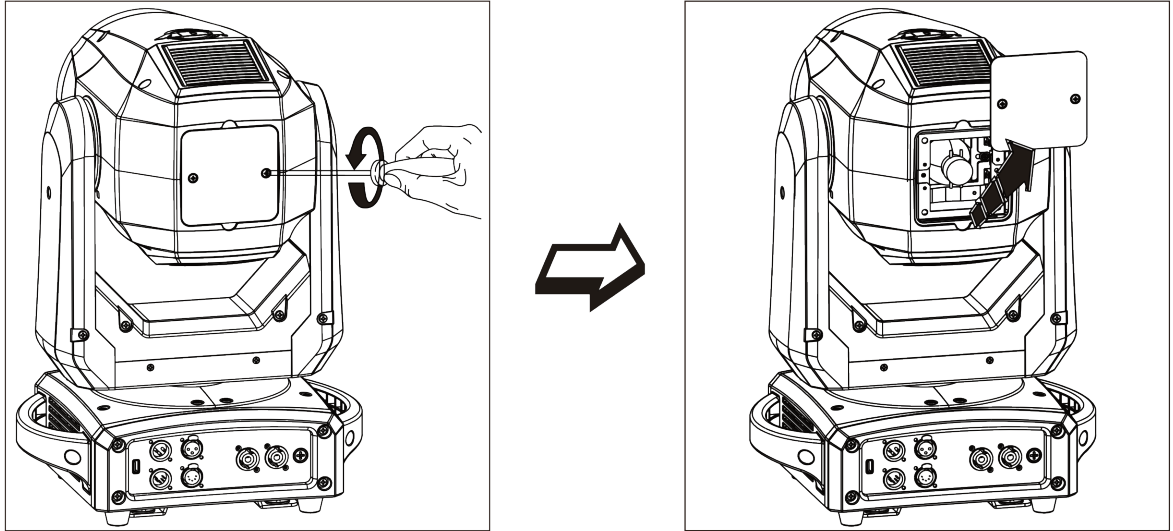
UV

GOBO WHEEL

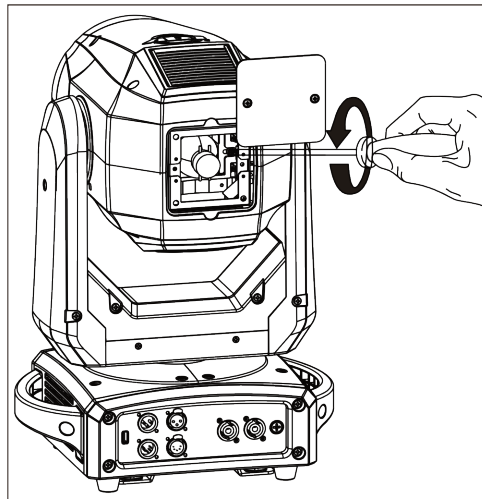


LAMP REPLACEMENT

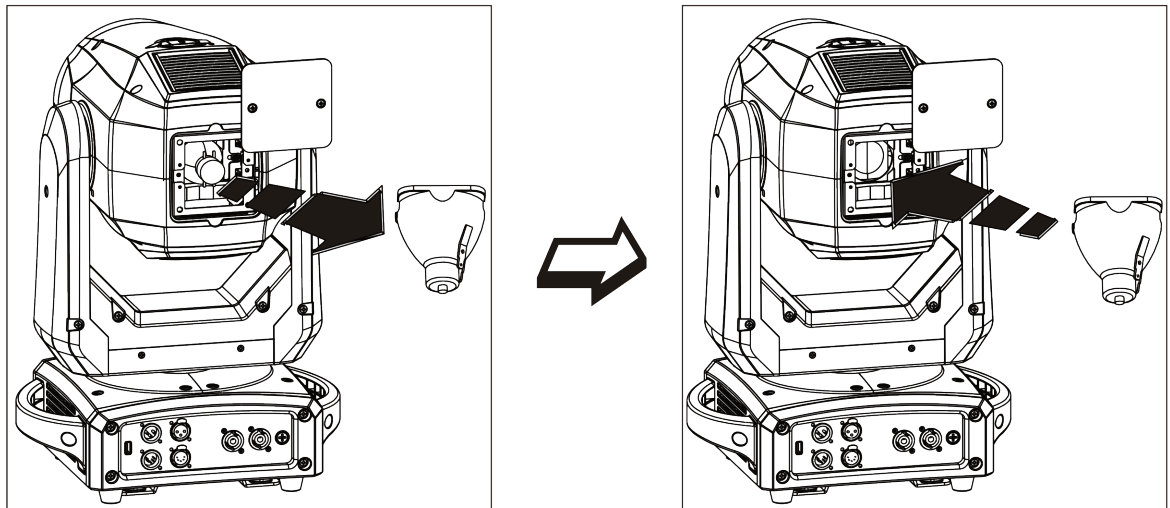
Please replace the lamp after 2000 Hours, and clear the lamp running time in the menu.
Loosen the two screws and open the fixture head covers.



Loosen the two screws in the recess.



Carefully lift the lamp out of its recess, disconnect the lamp, and replace it with a new Philips MSD Platinum 12 R LL lamp.



INSTALLATION GUIDELINES



FLAMMABLE MATERIAL WARNING

Keep fixture minimum 0.7 feet (0.2m) away from flammable materials and/or pyrotechnics.



ELECTRICAL CONNECTIONS

A qualified electrician should be used for all electrical connections and/or installations.



USE CAUTION WHEN POWER LINKING OTHER MODEL FIXTURES AS THE POWER CONSUMPTION OF OTHER MODEL FIXTURES MAY EXCEED THE MAX POWER OUTPUT ON THIS FIXTURE. CHECK SILK SCREEN FOR MAX AMPS.



**MINIMUM DISTANCE TO OBJECTS/SURFACES
MUST BE 39.4 FEET (12 METERS)**



**MINIMUM DISTANCE OF INFLAMMABLE MATERIALS
FROM THE SURFACE 0.7 FEET (0.2 METER)**



MAXIMUM TEMPERATURE OF EXTERNAL SURFACE 185° F (85°C)

DO NOT INSTALL THE FIXTURE IF YOU ARE NOT QUALIFIED TO DO SO!

Fixture **MUST** be installed following all local, national, and country commercial electrical and construction codes and regulations.

Before rigging/mounting a single fixture or multiple fixtures to any metal truss/structure or placing the fixture(s) on any surface, a professional equipment installer **MUST** be consulted to determine if the metal truss/structure or surface is properly certified to safely hold the combined weight of the fixture(s), clamps, cables, and accessories.

Fixture ambient operating temperature range is **0° to 104°F. (0° to 40°C)**.

Do not Use fixture under or above this temperature.

Fixture(s) should be installed in areas outside walking paths, seating areas, or away from areas where unauthorized personnel might reach the fixture by hand.

NEVER stand directly below the fixture(s) when rigging, removing or servicing.

Overhead fixture installation must always be secured with a secondary safety attachment, such as an appropriately rated safety cable.

Allow approximately 15 minutes for the fixture to cool down before servicing.

RIGGING

Overhead rigging requires extensive experience, including among others calculating working load limits, installation material being used, and periodic safety inspection of all installation material and the fixture. If you lack these qualifications, do not attempt the installation yourself. Improper installation can result in bodily injury.

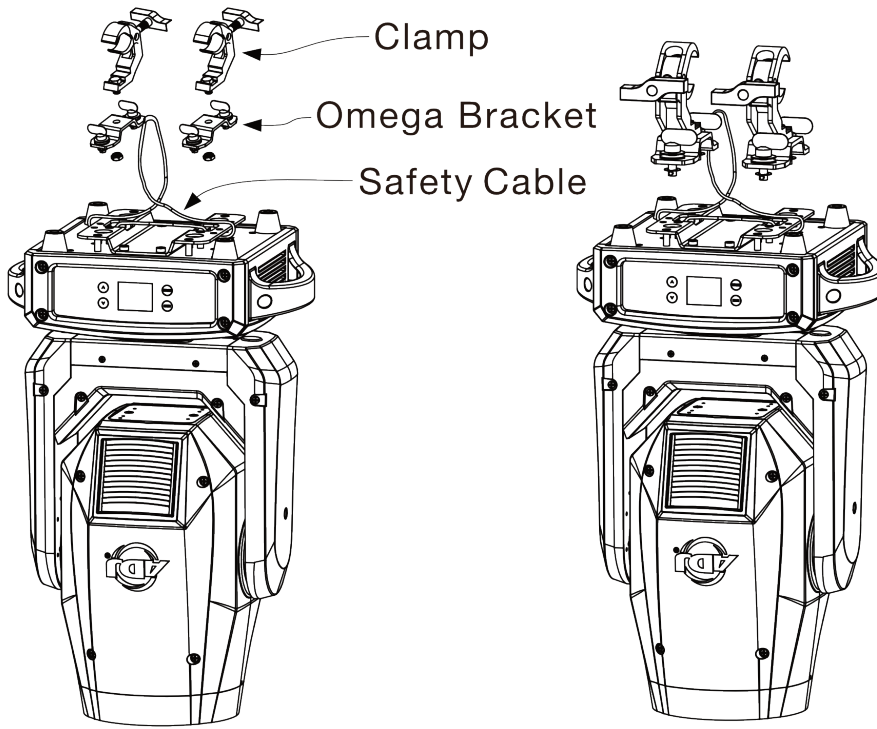


ALWAYS ATTACH AN APPROPRIATELY RATED SAFETY CABLE (NOT INCLUDED) THAT MEETS ALL LOCAL, NATIONAL, AND COUNTRY CODES AND REGULATIONS WHENEVER INSTALLING FIXTURE IN A SUSPENDED ENVIRONMENT!

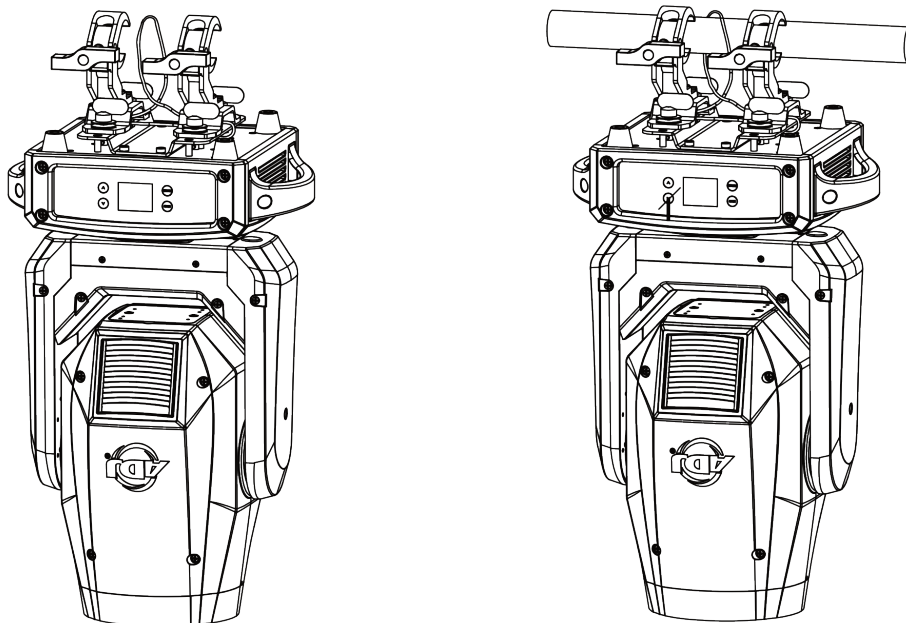
INSTALLATION GUIDELINES

OMEGA BRACKETS INSTALLATION

Insert the Omega Brackets into the matching holes on the bottom of the fixture. Secure the Omega Brackets to the fixture by turning each quick-lock fastener ¼ turn clockwise; making sure the fastener is completely locked. Omega Brackets can be installed into the fixture base as illustrated below.



**SAFETY CABLE
ALWAYS ATTACH A SAFETY
WHENEVER INSTALLING THIS
FIXTURE IN A SUSPENDED
ENVIRONMENT TO ENSURE
THE FIXTURE WILL NOT FALL
IF THE CLAMP FAILS.**



CLAMP INSTALLATION

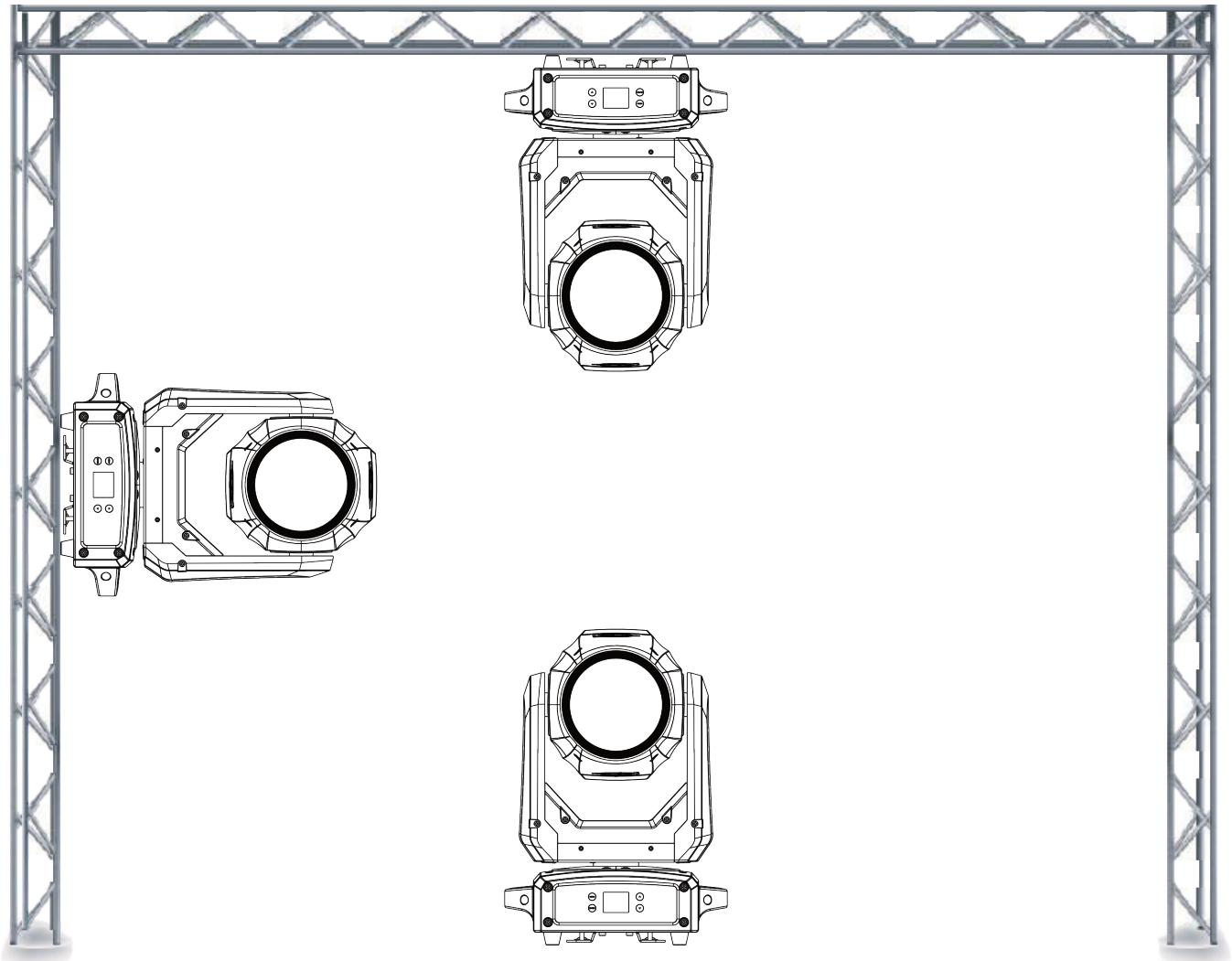
When mounting fixture to truss, be sure to secure an appropriately rated professional grade rigging clamp to the included **Omega Brackets** using an M10 screw fitted through the center hole of the **Omega Brackets**. The fixture provides built-in rigging points for a **SAFETY CABLE** (not included). Be sure to only use one of the designated rigging points for the safety cable and never secure a safety cable to a carrying handle.

INSTALLATION GUIDELINES

RIGGING

Overhead rigging requires extensive experience, including among others, calculating working load limits, installation material being used, and periodic safety inspection of all installation material and the fixture. If you lack these qualifications, do not attempt the installation yourself. Improper installation can result in bodily injury.

This fixture is designed to be mounted vertically (hanging or upright), or horizontally (perpendicular to vertical axis) only.



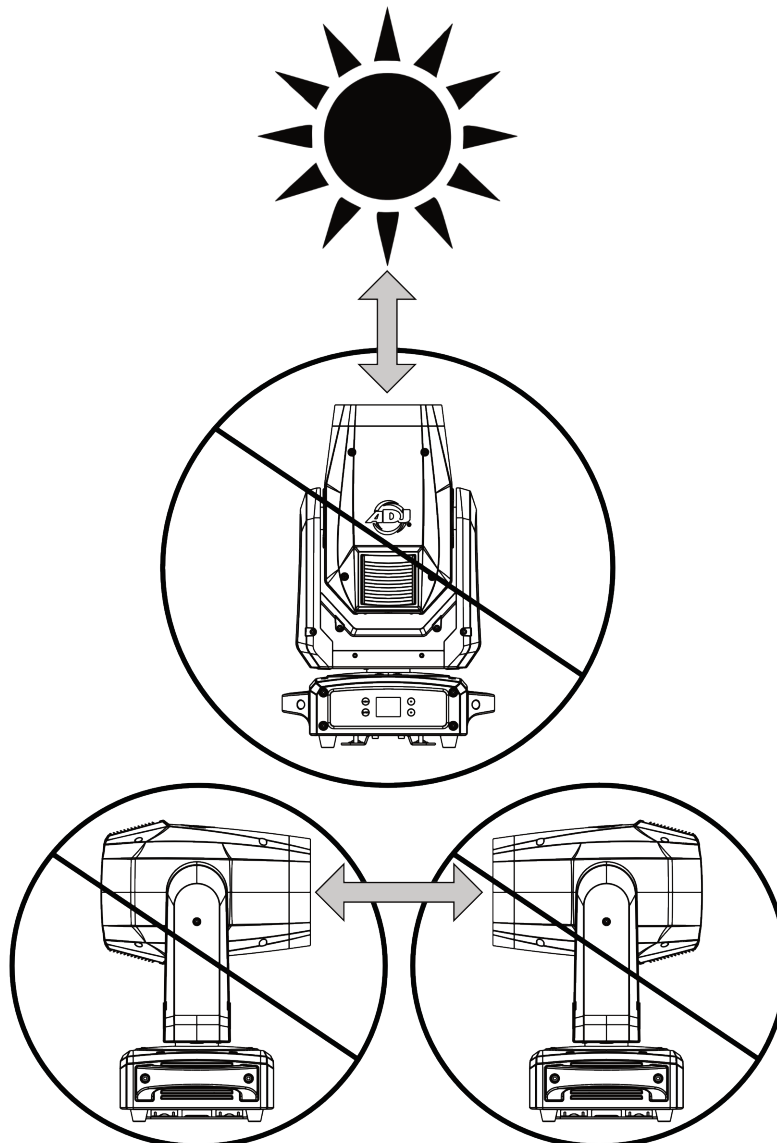
INSTALLATION GUIDELINES

POTENTIAL INTERNAL FIXTURE DAMAGE FROM EXTERNAL SOURCES OF LIGHT BEAMS

External sources of light beams from direct sunlight, lighting moving head fixtures, and lasers, which are focused directly towards the exterior housing and/or penetrate the front lens opening of ADJ lighting fixtures, can cause severe internal damage including burning to optics, dichroic color filters, glass and metal gobos, prisms, animation wheels, frost filters, iris, shutters, motors, belts, wiring, discharge lamps, and LEDs.

This issue is not specific to ADJ lighting fixtures, it is a common issue with lighting fixtures from all manufacturers. Although there is no true way to fully prevent this issue from happening, the following guidelines can prevent any potential damage from occurring if followed. Contact ADJ Service for more details.

DO NOT EXPOSE THE FIXTURE AND/OR FRONT LENS OPENING TO LIGHT BEAMS FROM DIRECT SUNLIGHT, OTHER LIGHTING MOVING HEAD FIXTURES, AND LASERS WHILE UNPACKING, INSTALLATION, USE, AND EXTENDED IDLE TIMES OUTDOORS. DO NOT FOCUS A LIGHT BEAM FROM ONE LIGHTING FIXTURE DIRECTLY TOWARDS ANOTHER.



REMOTE DEVICE MANAGEMENT (RDM)

NOTE: In order for RDM to work properly, RDM enabled equipment must be used throughout the entire system, including DMX data splitters and wireless systems.

Remote Device Management (RDM) is a protocol that sits on top of the DMX512 data standard for lighting, allowing the DMX systems of the fixtures to be modified and monitored remotely. This protocol is ideal for instances in which a unit is installed in a location that is not easily accessible.

With RDM, the DMX512 system becomes bi-directional, allowing a compatible RDM enabled controller to send out a signal to devices on the wire, as well as allowing the fixture to respond (known as a GET command). The controller can then use its SET command to modify settings that would typically have to be changed or viewed directly via the unit's display screen, including the DMX Address, DMX Channel Mode, and Temperature Sensors.

Please be aware that **not all RDM devices support all RDM features**, and therefore it is important to check beforehand to ensure that the equipment that you are considering includes all of the features that you require.

The following parameters are accessible in RDM on this device:

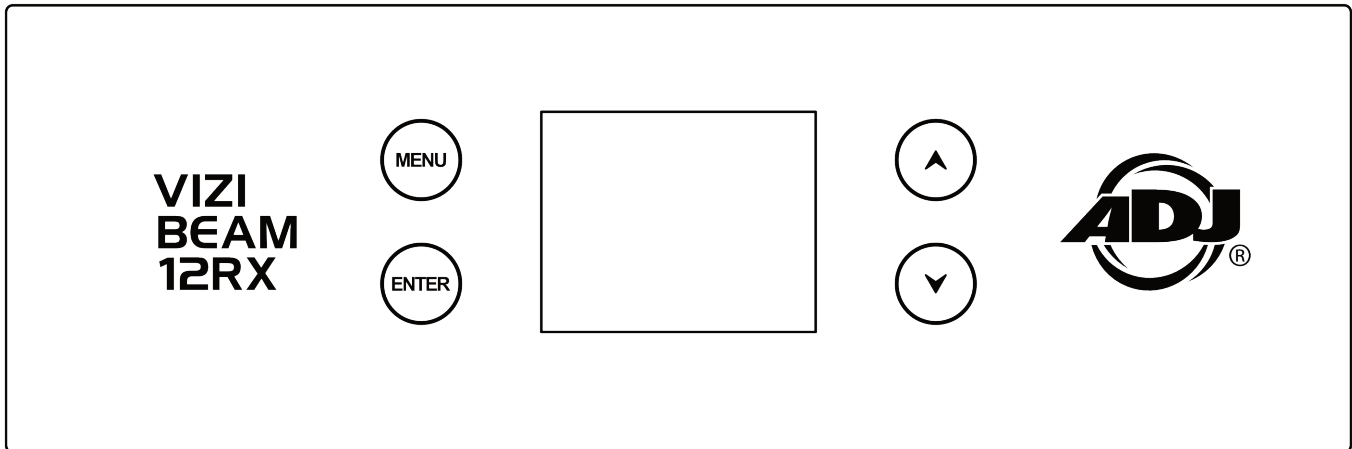
Disc Unmute	DMX Personality Description
Disc Unique Branch	DMX Start Address
Disc Mute	Identify Device
Device Info	Reset Device
Manufacturer Label	Sensor Definition
Device Label	Sensor Value
Device Model Description	Lamp State
Software Version Label	Lamp Hours
Supported Parameters	Pan Invert
Status Messages	Tilt Invert
DMX Personality	

SYSTEM MENU

The fixture includes an easy to navigate system menu. The control panel located on the front of the fixture provides access to the main system menu, and is where all necessary system adjustments are made to the fixture. During normal operation, pressing MENU button once will access the fixture's main menu. Once in the main menu you can navigate through the different functions and access the sub-menus with the UP and DOWN buttons. Once you reach a field that requires adjusting, press ENTER button to activate that field and Use UP and DOWN buttons to adjust field. Pressing the ENTER button once more will confirm your setting. You may exit the main menu at any time without making any adjustments by pressing the MENU button.

To access the LCD Menu Control Display via the internal battery, press and hold the MENU button for 1 second. The LCD Menu Control Display will automatically shut OFF and exit the system menu after 15 minutes (to toggle hibernation mode on or off, or change hibernation timer, select Personality / Status Settings / Hibernation).

If the display has gone into hibernation, **press and hold mode to unlock the display.**



SYSTEM MENU

ADJ VIZI BEAM 12RX - SYSTEM MENU

Default setting shown in bold

Supports Software Versions: 1.5

MAIN MENU	OPTIONS / VALUES (Default Settings in BOLD)		DESCRIPTION	
DMX Settings	DMX Address	001 - 512	Shall be used to set the units starting DMX address channel. Depending on set DMX mode, unit shall not allow to be addressed any higher that will not allow for all channels to be accessed from the console.	
	DMX CH Mode	13ch, 17ch	Shall be used to set the units desired DMX mode.	
	No DMX Status	Hold Last		Shall be used to set the units behavior when DMX signal is not present. Hold shall be the default setting and unit shall hold all last channel values received from the console when signal is lost.
		Blackout		Blackout option shall take all channels to zero (0) when signal is lost.
Manual			Manual Settings option shall take all channels to the last set Manual channel settings when signal is lost.	
Personality	Status Settings	Pan Invert	ON / OFF	
		Tilt Invert	ON / OFF	
		P./T. Feedback	ON / OFF	
		Pan Degree	540	
		P./T. Speed	Speed 1, Speed 2, Speed 3	Speed 1: Slow, Speed 2: Normal, Speed 3: Fast
		Hibernation	OFF, 01M~99M, 15M	When DMX signal is not present for the set time, the unit shall go into standby mode after the set time. When set to OFF, unit shall never go into hibernation mode. The unit should have 01M to 99M options... so 01M, 02M, 03M... 99M (M=Minutes). 15M should be default.
	Reset Motors	Reset All Motors	YES / NO	
		Pan/Tilt Reset	YES / NO	
		Color Reset	YES / NO	
		Gobo Reset	YES / NO	
		Prism R/P Reset	YES / NO	
		Shutter Reset	YES / NO	
		Focus Reset	YES / NO	
		Frost Reset	YES / NO	
	Display	Intensity	1- 10	
		Display Invert	ON / OFF	
		Screen Saver Delay	OFF - 10 minutes	
		Display Lock On/Off	ON / OFF	
	Service	Calibration	Pan 128-127	Effects adjustments (Passcode = 050). Do not adjust effect settings when performing a factory reset at the same time.
			Tilt 128-127	
			Shutter 0-255	
			Color -128~127	
			...	
Focus -128~127				
USB Port Power		ON / OFF		
Update Software				
Factory Restore	YES / NO	Reset to factory default		

MAIN MENU	OPTIONS / VALUES (Default Settings in BOLD)		DESCRIPTION		
Manual Control	Pan, Tilt, Color, Gobo, Prism1, Prism2, RPrism, Shutter, Dimmer, Dimmer Fine, Focus, Frost	000-255	Set Manual Control values remain set when no DMX signal is present, including through a power cycle.		
Information	Fixture Life Time	Power On Time	xxxxxx Hours	Total hrs. fixture powered ON. Cannot be reset.	
		P- On Time- R	xxxxxx Hours	Hours fixture powered ON. Can be reset	
		P- On Time Reset	Passcode	Reset Power On Time (Passcode = 050)	
	Total Lamp Time	Lamp On Time	xxxxxx Hours	Resets to 0 when lamp replaced and reset (Passcode = 050)	
		Lamp ON Time-R	xxxxxx Hours		
		Lamp On Time Reset	Passcode		
	Fixture Temps	Head	Current	xxx F°/xxx C°	Current fixture temperature in
			Max Resettable	xxx F°/xxx C°	Maximum temperature reached since last reset. Can be reset
		Max Not Resettable	xxx F°/xxx C°	Maximum temperature fixture reached. Cannot be reset	
		Reset Head Temp	No / Yes	Passcode	Shall allow for Head Temperature data to be reset. Should be Passcode protected. Passcode should be 050.
	Fan Info.(RPM)	B_Fan 1:	xxxx	Displays fan RPM	
		B_Fan 2:	xxxx		
		H_Fan 1:	xxxx		
		H_Fan 2:	xxxx		
H_Fan 3:		xxxx			
DMX Values	an, Pan Fine, Tilt, Tilt Fine, Color, Gobo, Prism1, Prism2, RPrism, Shutter, Dimmer, Dimmer Fine, Focus, Focus Fine, Frost, P/T Speed, Spe. Func	000-255	Displays current DMX Channel value of respective fixture trait.		
Error Logs	Fixture Errors		Displays Fixture Errors		
Software Version	Reset Error Log	YES / NO	Reset Error Log (Passcode = 050).		
Lamp Control	Lamp On/Off	V1.5	Displays current software version		
	Lamp On with Power	ON / OFF	Manual ON/OFF lamp control		
	Lamp On via DMX	ON / OFF	Controls lamp ON/OFF during power up		
	Lamp Off via DMX	ON / OFF	Allows lamp ON via DMX		
		ON / OFF	Allows lamp OFF via DMX		

DMX Settings

Select **DMX Settings**, and press **ENTER** button to confirm. Use **UP/DOWN** buttons to select **DMX Address**, **DMX CH Mode**, or **No DMX Status**.

DMX Address — DMX512 address setting

Select **DMX Address**, and press **ENTER** button to confirm. Use **UP/DOWN** buttons to adjust address from **001** to **512**, and press **ENTER** button to store.

DMX CH Mode — channel mode

Select **DMX CH Mode**, and press **ENTER** button to confirm. Use **UP/DOWN** buttons to select **13ch** or **17ch**, and press **ENTER** button to store.

No DMX Status — fixture state while DMX single stops

Select **No DMX Status**, and press **ENTER** button to confirm. Use **UP/DOWN** buttons to select **Hold Last** (If DMX signal stops, fixture continues to obey the last command it received Via DMX), **Blackout** (fixture blacks-out if DMX signal stops) or **Manual** (If DMX signal stops, fixture returns all channels to the last setting entered manually), and press **ENTER** button to store.

In the **Blackout / Hold Last** state, and with no DMX signal, the unit will remain in the final state for 15M before reverting to static mode. At this time, the lamp and motors will turn-off. When the DMX signal is reconnected, the unit will automatically activate and reset.

Personality

Select Personality, and press **ENTER** button to confirm, use **UP/DOWN** buttons to select **Status Settings**, **Reset Motors**, **Display**, or **Service**.

Status Settings

Select **Status Settings**, and press **ENTER** button to confirm. Use **UP/DOWN** buttons to select **Pan Invert**, **Tilt Invert**, **P./T. Feedback**, **Pan Degree**, **P./T. Speed** or **Hibernation**, and press **ENTER** button to store.

Pan Invert

Select Pan Invert, and press **ENTER** button to confirm. Use **UP/DOWN** buttons to select **OFF** (pan invert) or **ON** (normal), and press **ENTER** button to store.

Tilt Invert

Select Tilt Invert, and press **ENTER** button to confirm. Use **UP/DOWN** buttons to select **OFF** (tilt invert) or **ON** (normal), and press **ENTER** button to store.

P./T. Feedback

Select P./T. Feedback, and press **ENTER** button to confirm. Use **UP/DOWN** buttons to select **OFF** or **ON**, and press **ENTER** button to store.

Pan Degree

Select **Pan Degree**, and press **ENTER** button to confirm, **Pan Degree** will show on the display, and press **MENU** button to exit.

P./T. Speed

Select **P./T. Speed**, and press **ENTER** button to confirm. Use **UP/DOWN** buttons to select Speed 1, Speed 2, or Speed 3, and press **ENTER** button to store.

Hibernation

Select **Hibernation**, and press **ENTER** button to confirm. Use **UP/DOWN** buttons to select **OFF** (unit never go into hibernation mode) or **01M~99M** (Hibernation mode), and press **ENTER** button to store.

Reset Motors

Select **Reset Motors**, and press **ENTER** button to confirm. Use **UP/DOWN** buttons to select **Reset All Motors**, **Pan/Tilt Reset**, **Color Reset**, **Gobo Reset**, **Prism/R-P Reset**, **Shutter Reset**, or **Frost Reset**, and press **ENTER** button to store.

Reset All Motors

Select **Reset All Motors**, and press **ENTER** button to confirm. Use **UP/DOWN** buttons to select **No** or **Yes**, and press **ENTER** button to store.

Pan/Tilt Reset

Select **Pan/Tilt Reset**, and press **ENTER** button to confirm. Use **UP/DOWN** buttons to select **No**, or **Yes**, and press **ENTER** button to store.

Personality (continued)

Color Reset

Select **Color Reset**, and press **ENTER** button to confirm. Use **UP/DOWN** buttons to select **No** or **Yes**, and press **ENTER** button to store.

Gobo Reset

Select **Gobo Reset**, and press **ENTER** button to confirm. Use **UP/DOWN** buttons to select **No** or **Yes**, and press **ENTER** button to store.

Prism/P-R Reset

Select **Prism/P-R Reset**, and press **ENTER** button to confirm. Use **UP/DOWN** buttons to select **No** or **Yes**, and press **ENTER** button to store.

Shutter Reset

Select **Shutter Reset**, and press **ENTER** button to confirm. Use **UP/DOWN** buttons to select **No** or **Yes**, and press **ENTER** button to store.

Focus Reset

Select **Focus Reset**, and press **ENTER** button to confirm. Use **UP/DOWN** buttons to select **No** or **Yes**, and press **ENTER** button to store.

Frost Reset

Select **Frost Reset**, and press **ENTER** button to confirm. Use **UP/DOWN** buttons to select **No** or **Yes**, and press **ENTER** button to store.

Display

Select **Display**, and press **ENTER** button to confirm. Use **UP/DOWN** buttons to select **Intensity**, **Display Invert**, **Screen Saver Delay** or **Display Lock ON/OFF**, and press **ENTER** button to store.

Intensity

Select **Intensity**, and press **ENTER** button to confirm. Current mode will blink on the display, Use **UP/DOWN** buttons to adjust backlight intensity from **001** (dark) to **010** (bright), and press **ENTER** button to store.

Display Invert

Select **Display Invert**, and press **ENTER** button to confirm. Use **UP/DOWN** buttons to select **OFF** or **ON**, and press **ENTER** button to store.

Screen Saver Delay

Select **Screen Saver Delay**, and press **ENTER** button to confirm. Current mode will blink on the display. Use **UP/DOWN** buttons to adjust backlight intensity from **OFF** or **01M** to **10M**, and press **ENTER** button to store.

Display Lock ON/OFF

Select **Display Lock ON/OFF**, and press **ENTER** button to confirm. Current mode will blink on the display. Use **UP/DOWN** buttons to select **OFF** or **ON**, and press **ENTER** button to store.

Service

Select **Service**, and press **ENTER** button to confirm. Current mode will show on the display, Use **UP/DOWN** button to select **050**, and press **ENTER** button to confirm. Use **UP/DOWN** buttons to select **Calibration**, **USB Port Power**, **Update Software**, or **Factory Restore**.

When selecting **Calibration**, use **UP/DOWN** buttons to select **Pan**, **Tilt**, **Shutter**, **Color**, **Gobo**, **Prism1**, **RPrism**, **Prism2**, **Frost**, or **Focus**, then use **UP** and **DOWN** button to adjust value.

When selecting **USB Port Power**, use **UP/DOWN** buttons to select **OFF** or **ON**.

When selecting **Update Software**, Use **UP/DOWN** buttons to select **NO** or **YES**.

When selecting **Factory Restore**, use **UP/DOWN** buttons to select **NO** or **YES**.

Manual Control

Select **Manual Control**, and press **ENTER** button to confirm. Current channel will show on the display. Use **UP/DOWN** button to select **Pan, Tilt, Color, Gobo, Prism1, Prism2, RPrism, Shutter, Dimmer, Dimmer Fine, Focus, or Frost**, press **ENTER** button to confirm, then Use **UP/DOWN** button to adjust value **000** to **255**, press **ENTER** button to store, and the fixture will run as the channel value indicates. Press **MENU** button back to the last menu, or exit menu mode idling one minute.

(All channels value will become 0 after exiting Manual Test menu)

Information

Select **Information**, and press **ENTER** button to confirm. Use **UP/DOWN** buttons to select **Fixture Life Time, Total Lamp Time, Fixture Temps, Fan Info.(RPM), DMX Values, Error Logs, or Software Version**.

Fixture Life Time

Select **Fixture Life Time**, and press **ENTER** button to confirm. Use **UP/DOWN** buttons to select **Power On Time, P-On Time-R, or P-On Time Reset**, and press **ENTER** button to store.

Total Lamp Time

Select **Total Lamp Time**, and press **ENTER** button to confirm. Use **UP/DOWN** buttons to select **Lamp On Time, Lamp On Time-R, or Lamp On Time Reset**, and press **ENTER** button to store.

Fixture Temps

Select **Fixture Temps**, and press **ENTER** button to confirm. Use **UP/DOWN** buttons to select **Head, or Reset Head Temp**, and press **ENTER** button to store.

Fan Info.(RPM)

Select **Fan Info.(RPM)**, and press **ENTER** button to confirm. Use **UP/DOWN** buttons to select **B_Fan1, B_Fan2, H_Fan1, H_Fan2, or H_Fan3**, and press **ENTER** button to store.

DMX Values

Select **DMX Values**, and press **ENTER** button to confirm. Use **UP/DOWN** buttons to select **Pan, Pan Fine, Tilt, Tilt Fine, Color, Gobo, Prism1, Prism2, RPrism, Shutter, Dimmer, Dimmer Fine, Focus, Focus Fine, Frost, P/T Speed, or Spe. Func**, and press **ENTER** button to store.

Error Logs

Select **Error Logs**, and press **ENTER** button to confirm. Use **UP/DOWN** buttons to select **Fixture Errors, or Reset Error Log**, and press **ENTER** button to store.

Software Version

Select **Software Version**, and press **ENTER** button to confirm. **Software Version** will show on the display. Press **MENU** button to exit.

Lamp Control

Select **Lamp Control**, and press **ENTER** button to confirm. Use **UP/DOWN** buttons to select **Lamp ON/OFF, Lamp On with Power, Lamp On via DMX, or Lamp Off via DMX**, and press **ENTER** button to store.

DMX TRAITS: CHANNEL FUNCTIONS & VALUES

ADJ VIZI BEAM 12RX™			
DMX Channel Values / Functions			
Supports Software Versions: ≥ 1.5			
Features subject to change without notice.			
MODE/CHANNEL		VALUE	FUNCTION
13CH	17CH		
1	1		Pan
		000-255	Pan
	2		Pan Fine
		000-255	Pan Fine
2	3		Tilt
		000-255	Tilt
	4		Tilt Fine
		000-255	Tilt Fine
3	5		Color
		000-003	White
		004-007	Color1
		008-011	Color2
		012-015	Color3
		016-019	Color4
		020-023	Color5
		024-027	Color6
		028-031	Color7
		032-035	Color8
		036-039	Color9
		040-043	Color10
		044-047	Color11
		048-051	Color12
		052-055	Color13
		056-059	Color14
		060-061	White
		062-063	White to Color1
		064-065	Color1
		066-067	Color1 to Color2
		068-069	Color2
		070-071	Color2 to Color3
		072-073	Color3
		074-075	Color3 to Color4
		076-077	Color4
		078-079	Color4 to Color5
		080-081	Color5
		082-083	Color5 to Color6
		084-085	Color6
		086-087	Color6 to Color7
		088-089	Color7
		090-091	Color7 to Color8
		092-093	Color8
		094-095	Color8 to Color9
		096-097	Color9
		098-099	Color9 to Color10
		100-101	Color10
		102-103	Color10 to Color11
		104-106	Color11
		107-109	Color11 to Color12
		110-112	Color12
113-115	Color12 to Color13		
116-118	Color13		
119-121	Color 13 to Color14		
122-124	Color14		
125-127	Color14 to White		
128-189	Clockwise Rotation Fast to Slow		
190-193	Stop		
194-255	Counter-Clockwise Rotation Slow to Fast		

MODE/CHANNEL		VALUE	FUNCTION
13CH	17CH		
4	6		Static Gobo
		000-007	White
		008-010	Gobo1
		011-013	Gobo2
		014-016	Gobo3
		017-019	Gobo4
		020-022	Gobo5
		023-025	Gobo6
		026-028	Gobo7
		029-031	Gobo8
		032-034	Gobo9
		035-037	Gobo10
		038-040	Gobo11
		041-043	Gobo12
		044-046	Gobo13
		047-049	Gobo14
		050-052	Gobo15
		053-055	Gobo16
		056-059	White Shaking Slow to Fast
		060-063	Gobo1 Shaking Slow to Fast
		064-067	Gobo2 Shaking Slow to Fast
		068-071	Gobo3 Shaking Slow to Fast
		072-075	Gobo4 Shaking Slow to Fast
		076-079	Gobo5 Shaking Slow to Fast
		080-083	Gobo6 Shaking Slow to Fast
		084-087	Gobo7 Shaking Slow to Fast
		088-091	Gobo8 Shaking Slow to Fast
		092-095	Gobo9 Shaking Slow to Fast
		096-099	Gobo10 Shaking Slow to Fast
		100-103	Gobo11 Shaking Slow to Fast
		104-107	Gobo12 Shaking Slow to Fast
108-111	Gobo13 Shaking Slow to Fast		
112-115	Gobo14 Shaking Slow to Fast		
116-119	Gobo15 Shaking Slow to Fast		
120-127	Gobo16 Shaking Slow to Fast		
128-189	Clockwise Rotation Fast to Slow		
190-193	Stop		
194-255	Counter-Clockwise Rotation Slow to Fast		

MODE/CHANNEL		VALUE	FUNCTION
13CH	17CH		
5	7		Prism1
		000-007	Close
		008-255	Open
6	8		Prism2
		000-007	Close
		008-255	Open
7	9		Prism Rotation
		000-127	0% ~ 100%
		128-189	Clockwise Rotation Fast to Slow
		190-193	Stop
8	10		Strobe
		000-031	Close
		032-063	Open
		064-095	Strobe from Slow to Fast
		096-127	Open
		128-159	Pulse Effect in sequence
		160-191	Open
		192-223	Random Strobe Slow to Fast
224-255	Open		
9	11		Dimmer
		000-255	0% ~ 100%
	12		Dimmer Fine
		000-255	0% ~ 100%
10	13		Focus
		000-255	0% ~ 100%
	14		Focus Fine
		000-255	0% ~ 100%
11	15		Frost
		000-255	0% ~ 100%
12	16		Pan/Tilt Speed
		000-255	Fast to Slow
13	17		Special Function
		000-069	Null
		070-079	Enable blackout while Pan/Tilt moving
		080-089	Disable blackout while Pan/Tilt moving
		090-099	Enable blackout while color changing
		100-109	Disable blackout while color changing
		110-119	Enable blackout while gobo changing
		120-129	Disable blackout while gobo changing
		130-139	Lamp On
		140-149	Reset XY
		150-159	Reset Effect
		160-199	No Function
		200-209	Reset All
		210-229	No Function
230-239	Lamp Off		
240-255	No Function		

SOFTWARE UPDATES

Follow the directions below to update the device's software:

1. Copy the upgrade file to a USB flash drive. To avoid the risk of uploading the wrong file to the fixture, make sure that there are no other files on your flash drive. Insert the flash drive into the fixture's service port.
2. Select "Personality" in the system menu, and press ENTER to confirm.
3. Use the UP and DOWN buttons to scroll to the "Service" sub-menu, and press ENTER to select. The current mode will be shown on the display screen.
4. Use the UP and DOWN buttons to enter the passcode ("050") and press ENTER to confirm.
5. Use the UP and DOWN buttons to scroll to the "USB Port Power" option, and press ENTER to select.
6. Use the UP and DOWN buttons to toggle to the "ON" setting.
7. Use the UP and DOWN buttons to select "Update Software" and press ENTER to confirm.
8. Use the UP and DOWN buttons to select the upgrade file from the options shown on the display screen, and press ENTER to confirm.
9. When prompted, use the UP and DOWN buttons to select "Yes", then press ENTER to confirm. The screen will now display "Upgrading, please wait..." Once this process has been completed, your device should be successfully updated.

Note: Up to 32 units can be daisy chained together and updated at the same time.

ERROR CODES

Error Codes subject to change without notice

ERROR CODE	DESCRIPTION
Pan Reset Error	Pan: Reset Error
Pan Encode Error	Pan: Encode Error
Tilt Reset Error Tilt	Tilt: Reset Error
Tilt Encode Error	Tilt: Encode Error
CPU-B Error	CPU-B Error
CPU-C Error	CPU-C Error
CPU-D Error	CPU-D Error
Color Reset Fail	Color: Reset Fail
Gobo Reset Fail	Gobo: Reset Fail
Prism1 Reset Fail	Prism1: Reset Fail
Prism2 Reset Fail	Prism2: Reset Fail
Shutter Reset Fail	Shutter: Reset Fail
Focus Reset Fail	Focus: Reset Fail
Lamp Hot Power Off	Lamp Hot: Power Off
Lamp Maintenance	Prompt to change the lamp
Lamp Temp. Error	Ambient temperature test fail
Ballast Comm Err	
H Fan1 start error	Head Fan1 can't start
H Fan1 stop error	Head Fan1 can't stop
H Fan1 Too Slow	Head Fan1 Speed Too Slow
H Fan1 Too Fast	Head Fan1 Speed Too Fast
H Fan2 start error	2Head Fan2 can't start
H Fan2 stop error	Head Fan2 can't stop
H Fan2 Too Slow	Head Fan2 Speed Too Slow
H Fan2 Too Fast	Head Fan2 Speed Too Fast
H Fan3 start error	Head Fan3 can't start
H Fan3 Too Slow	Head Fan3 Speed Too Slow
H Fan3 Too Fast	Head Fan3 Speed Too Fast
B Fan1 start error	Base Fan1 can't start
B Fan1 stop error	Base Fan1 can't stop
B Fan1 Too Slow	Base Fan1 Speed Too Slow
B Fan1 Too Fast	Base Fan1 Speed Too Fast
B Fan2 start error	Base Fan2 can't start
B Fan2 stop error	Base Fan2 can't stop
B Fan2 Too Slow	Base Fan2 Speed Too Slow

SPECIFICATIONS

Light Source:

260W Philips® Platinum 12R LL MSD Discharge Lamp (6,000 hr.)
Color temperature: 7800K

Features:

Motorized Focus + 16-bit fine focus
2-degree beam angle
Frost Filter to create wash effect
High quality glass lens
2 Rotating prisms: 6-facet Linear and 24-facet Circular
0-100% smooth dimming
Various strobe speeds
USB firmware update port
Fan cooled

Color Wheel:

14 dichroic colors + white (Includes CTO, CTB & UV)
Indexable color wheel for split color

GOBO Wheel:

16 static GOBOs + open (4 GOBOs are beam reducers)
GOBO Shake Effect

Prism Wheel:

Rotating, 6-facet linear and 24-facet circular

Control:

2 DMX Channel Modes: 13/17 Channels
Color LCD display with 4-button function menu
Control Mode: DMX512, RDM or internal programs
0-100% smooth dimming
Various strobe speeds
USB firmware update port
With Wired Digital Communication Network

Pan/Tilt:

Pan: 540 degrees (plus 16-bit fine pan)
Tilt: 270 degrees (plus 16-bit fine tilt)

Connections:

DMX Connections: 3-pin & 5-pin DMX In/Out (Data link max: 32 fixtures)
Power Connections: IP65 rated power locking In/Out connections to daisy chain power

Electrical:

Multi-voltage operation: 100-240V, 50/60Hz
Max power consumption: 355W (@120V), 344W (@230V)

Dimensions & Weight:

Dimension: 13.8" (L) x 13.5" (W) x 22.25" (H) / 350 x 343.5 x 565mm
Weight: 42.8lbs. / 19.4 kg.

What's Included:

Omega Brackets
1.83M locking power cable

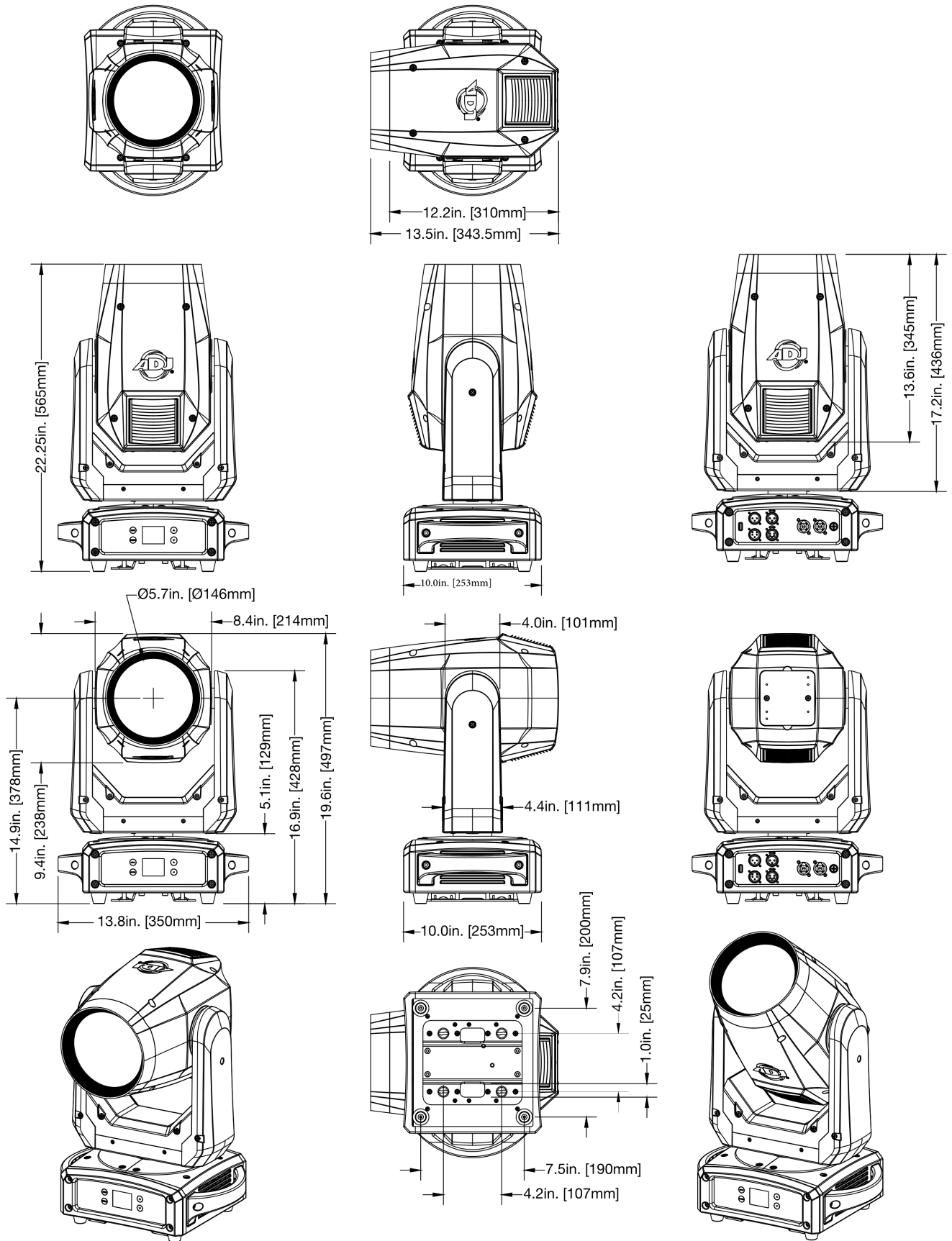
Rating / Approvals:

cETLus Approved (Control #4000358)



DIMENSIONS

*DRAWINGS NOT TO SCALE. DIMENSIONS FOR INFORMATION ONLY AND SUBJECT TO CHANGE WITHOUT NOTICE.



FCC STATEMENT

This device complies with Part 15 of the FCC Rules. Operation is subject to the following two conditions: (1) this device may not cause harmful interference, and (2) this device must accept any interference received, including interference that may cause undesired operation.

FCC RADIO FREQUENCY INTERFERENCE WARNINGS & INSTRUCTIONS

This product has been tested and found to comply with the limits as per Part 15 of the FCC Rules. These limits are designed to provide reasonable protection against harmful interference in a residential installation. This device uses and can radiate radio frequency energy and, if not installed and used in accordance with the included instructions, may cause harmful interference to radio communications. However, there is no guarantee that interference will not occur in a particular installation. If this device does cause harmful interference to radio or television reception, which can be determined by turning the device off and on, the user is encouraged to try to correct the interference by one or more of the following methods:

- Reorient or relocate the device.
- Increase the separation between the device and the receiver.
- Connect the device to an electrical outlet on a circuit different from which the radio receiver is connected.
- Consult the dealer or an experienced radio/TV technician for help.

Energy Saving Matters (EuP 2009/125/EC)

Saving electric energy is a key to help protecting the environment. Please turn off all electrical products when they are not in use. To avoid power consumption in idle mode, disconnect all electrical equipment from power when not in use. Thank you!



